

HEATIT Z-TRM3

Firmware 4.0

01.03.20

Ver 2020-A

Installers manual

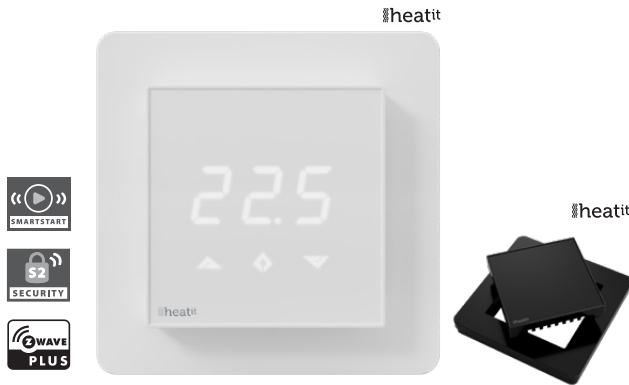


TABLE OF CONTENTS

1	Introduction
2	Statement regarding products from multiple manufacturers
3	Behavior within the Z-Wave™ network
4.	Quick Start
5.	Installation
5.1	Controls
6.	Add/Remove
6.1	Method 1 Standard (manual)
6.2	Method 2 SmartStart (automatic)
7	Factory Reset
7.1	Startup
8	Principles of regulation
9	Programming thermostat
10	Temperature shown in display
11	Standby and main screen
12	Choice of sensor
13	Selecting the right Ohm value for your external floor sensor
14	Calibration
15	Brightness
16	Hysteresis (dIF)
17	Min/Max temperature settings
18	Fast functions from Standby / Main Screen
18.1	Display on/off - don/doF
18.2	Childlock - Lock
19	Error codes
20	Z-Wave QR-code / DSK
21	Security
22	Node Information Frame
23	Associations
24	Configuration parameters
25	Command class specifications
26	Product information

1. INTRODUCTION

Heatit Z-TRM3 is an electronic thermostat for electrical floor heating, designed to be mounted in a standard flush box. The thermostat has a built-in Z-Wave chip that can be connected with Home Automation systems. Heatit Z-TRM3 is equipped with a single-pole switch and fits into System 55 frames. The thermostat can withstand a load of max 16A /3600W at 230V. The thermostat may be used for water based heating if the thermostat is linked to the Heatit Z-Water.

NB! If the sensor mode is changed to A or AF mode then a room sensor compensation process will start, which limits maximum power output to 75%. The thermostat adapts to the environment within a few days. No internal sensor calibration should be performed during the first few days.

2. STATEMENT REGARDING PRODUCTS FROM MULTIPLE MANUFACTURERS

Please read this before installation

This device may be used with all devices certified with the Z-Wave Plus™ certificate and should be compatible with such devices produced by other manufacturers. Every primary controller is different depending on the manufacturer, their target consumer and intended use/application. Please review the functionalities implemented by the primary controller you intend to use with our Z-Wave Plus certified device to ensure that it provides the necessary controls to take full advantage of our product's capabilities.

3. BEHAVIOR WITHIN THE Z-WAVE NETWORK

This device may be operated within any Z-Wave network with Z-Wave-certified devices from other manufacturers. All non-battery operated nodes within the network will act as repeaters regardless of manufacturer to increase the reliability of the network. On delivery, the device does not belong to any Z-Wave network. The device needs to be added to an existing network to communicate with the other devices within it. Devices may also be removed from a network. The add/remove processes are initiated by the primary controller of the Z-Wave network.

The primary controller has a mode for adding or removing devices. Please refer to your primary controller manual on how to set the primary controller in add/remove mode. The device may only be added or removed from the network if the primary controller is in add/remove mode.

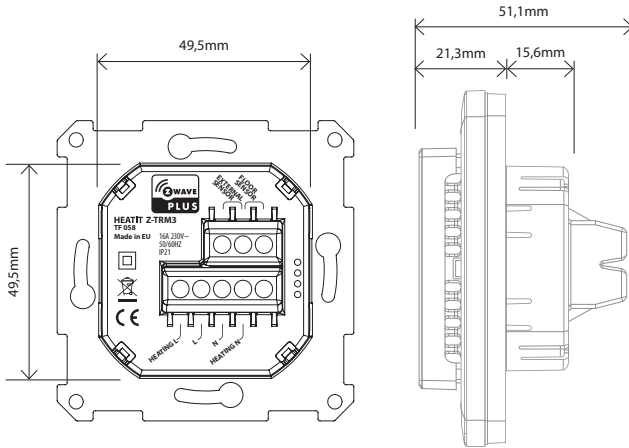
4. QUICK START

1. Switch off the mains supply (disable the fuse).
2. Open the wall switch box.
3. Connect wires according to the labeling described in chapter 5 "Installation".
4. After verifying the connections, switch the mains supply back on.
5. Set the primary controller in add mode (security/non-security).
6. Press and hold the center button until "OFF" is shown on the display (approx. 10 seconds).
7. Press down button until you reach "CON", press and hold until the display shows a rotating light pattern.
8. The thermostat will display "INC" when the thermostat is successfully added.

NB! If adding/removing fails, Err (error) will appear.

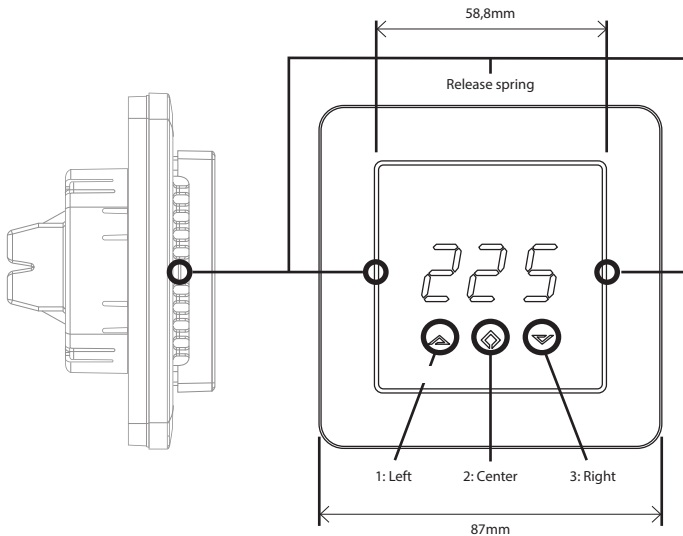
5. INSTALLATION

Installation must be done by a qualified electrician in accordance with the National Building codes. Before installation, disconnect any power to the thermostat mains. During installation of the thermostat, power to the thermostat must be disconnected **AT ALL TIMES!**



5.1 CONTROLS

Use e.g. a small slotted screwdriver. Start by carefully removing the front cover by pushing the release springs. The front cover and the frame may now be removed.



Connect the wires to the thermostat terminals:
Use 1,5mm² or 2,5mm² according to load.

HEATING (N)	Heating cable connection (Neutral)
N	Power connection (Neutral) 230V
L	Power connection (Live) 230V
HEATING (L)	Heating cable connection
FLOOR SENSOR	NTC type (10, 12, 15, 22, 33 or 47kΩ) Default 10kΩ
EXTERNAL SENSOR	NTC type (10, 12, 15, 22, 33 or 47kΩ) Default 10kΩ

Next, position the thermostat and mount it into the wall flush box using 2-4 screws. Position the frame over the flush box, then position and carefully press the front cover until it snaps in place. Check that the front cover has snapped in place properly on both sides. The front

cover should now fit firmly on all sides. In order to read the Power Metering, the load needs to be connected to both heating L + N.

NOTE! The top cover has to be installed when the thermostat is connected to the main power source. The thermostat is not a SELV product. All voltage parts must be considered to be 230VAC.

6. ADD/REMOVE

The primary controller/gateway has a mode for adding or removing devices. Please refer to your primary controller manual on how to set the primary controller in add/remove mode. The device may only be added or removed from the network if the primary controller is in add/remove mode. When the device is removed from the network, it will NOT revert to factory settings.

There are two ways to add the Heatit Z-TRM3 to a Z-Wave network.

6.1 METHOD 1: STANDARD (MANUAL)

1. Press Center (confirm) for 10 seconds. The display will show OFF.
2. Press Right (down) 5 times until you see Con on the display.
3. Start the add/remove device process in your primary controller.
4. Start the add/remove mode in the Heatit Z-TRM3 by pressing Center (confirm) for approximately 2 seconds.

Adding/removing mode is indicated on the display by rotating LED segments on the display. This lasts until the timeout occurs after 90 seconds, or until the module has been added/removed in the network. Confirmation will show Inc/ECL on the display. Exit programming mode by choosing ESC in the menu. Your thermostat is now ready for use with default settings.

NB! When the thermostat is removed from the gateway, the parameters are not reset. To reset the parameters, see Chapter 7: "Factory reset". If adding/removing fails, Err (error) will appear. Please perform a "remove device" process and try again. If Err displays again, please see Chapter 7: "Factory reset".

6.2 METHOD 2: SMARTSTART (AUTOMATIC)

SmartStart enabled products can be added into a Z-Wave network by scanning the Z-Wave QR-Code present on the product with a controller providing SmartStart inclusion. No further action is required and the SmartStart product will be added automatically within 10 minutes of being switched on in the network vicinity.

The Z-Wave QR-Code locations may be found in Chapter 20 "Z-Wave QR-Code/DSK".

7. FACTORY RESET

By pressing buttons Right and Center (down and confirm) for 20 seconds, the thermostat will perform a complete factory reset.

NB! Please use this procedure only when the primary controller/ gateway is missing or otherwise inoperable.

The device will display rES for 10 seconds while performing a factory reset. When rES no longer is displayed, the thermostat has been reset.

7.1 STARTUP

AFTER POWERING UP THE THERMOSTAT FOR THE FIRST TIME, ALL PARAMETERS WILL HAVE DEFAULT SETTINGS.

8. PRINCIPLES OF REGULATION

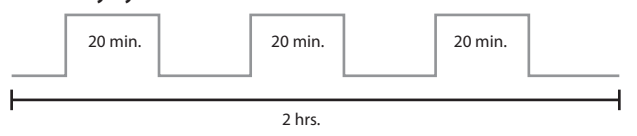
Using Floor / External sensor (F, A2 or A2F-Mode)

The thermostat uses temperature readings retrieved from the internal sensor or external wired sensor to regulate heating. When you have chosen a setpoint temperature, the thermostat will use an internal hysteresis to regulate the temperature. This hysteresis is adjustable. See Chapter 5 "Installation".

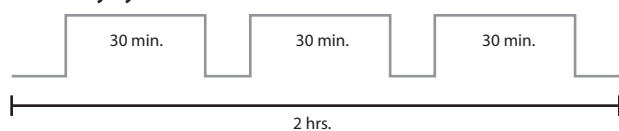
Using Internal sensor (A-mode/AF mode)

If you have a set point of 20°C, the thermostat will use the full power until the temperature is 19°C. The thermostat will then begin to regulate the output from 19°C with a 75% duty cycle until it reaches 19,25°C. When the temperature has reached 19,5°C the thermostat will use a 50% duty cycle, until it reaches 20°C, then the thermostat turns off and repeats the process. For example, at a 75% duty cycle it will turn ON for a total of 90 minutes and OFF for 30 minutes.

50% duty cycle



75% duty cycle



9. PROGRAMMING THE THERMOSTAT

To activate the programming mode, press Center (confirm) for 10 seconds. The display will show OFF. You are now in programming mode. To scroll up and down in the menu, use buttons 1 and 3 (left and right) to navigate. To enter the submenu, press Center (confirm). Always confirm your setting by pressing Center (confirm) for 2 seconds. Sto will appear to indicate saved settings.

10. TEMPERATURE SHOWN IN DISPLAY

By default, the temperature shown on the display is the setpoint. This may be altered with parameter 13: "Temperature display". You may calibrate the sensor values ± 4 degrees using parameters 10 to 12.

11. STANDBY AND MAIN SCREEN

When the thermostat remains untouched for a while, it will automatically revert to the standby screen. The standby screen will by default show the setpoint temperature. By pressing any button once, you will see the measured temperature. By pressing the left or right (up or down) button one more time, you will change the setpoint.

Menu structure

OFF Turns the thermostat off.

Sensors:

CHOICE OF SENSORS

- F** Depending on your choice of sensors, the menu will change.
- SEn** Select the right Ohm value for your external/floor sensor. NTC type (10, 12, 15, 22, 33 or 47k Ω). Default 10k Ω .
- CAE** Calibration for external sensor.
- CAF** Calibration for floor sensor.
- CAr** Calibration for internal sensor.
- br1** The display brightness may be adjusted in this menu.
- Con** Activation of inclusion/exclusion mode.
- dIF** Hysteresis.
- ALo** Setting lowest allowed temperature (limitation). (Air sensor)
- AHI** Setting highest allowed temperature (limitation). (Air sensor)
- Flo** Setting lowest allowed temperature (limitation). (Floor sensor)
- FHI** Setting highest allowed temperature (limitation). (Floor sensor)
- A2L** Setting lowest allowed temperature (limitation). (A2 air sensor)
- A2H** Setting highest allowed temperature (limitation). (A2 air sensor)
- ESC** Escape – exit programming menu.

12. CHOICE OF SENSOR

The thermostat has a range of choices when it comes to sensors. To access the menu, press Center (confirm) for 10 seconds, then press Right (down) once. An A will appear on the display. Then press Center (confirm) again and choose modes while moving up and down with buttons Left or Right:

- F** Floor sensor
- A** Internal sensor
- AF** Internal sensor + Floor sensor
- A2** External room sensor
- A2F** External room sensor + Floor sensor

When you have chosen sensor mode, press the Center (confirm) button. If you choose F without having a floor sensor connected, Er4 will be shown on the display. If you choose A2 or A2F and there is no external sensor installed, Er5 will be displayed on the screen.

NOTE: Wooden floors require that a floor sensor is connected in order to limit the floor temperature to a maximum of 27°C (in accordance with specifications from most wooden floor manufacturers).

13. SELECTING THE RIGHT OHM VALUE FOR YOUR EXTERNAL FLOOR SENSOR

The following values are available: NTC type (10, 12, 15, 22, 33 or 47k Ω). Default 10k Ω . Confirm with the Center (confirm) button. You can not combine two types of NTC sensors.

14. CALIBRATION

(CAr, CAF, CAE – Parameters 10, 11, 12)

Using Floor / External sensor (F, A2 or A2F-mode)

In this mode, you may adjust the displayed temperature. If the Temperature sensor is not calibrated properly, you can make minor changes to the temperature readout. You can calibrate the measured temperature by up to $\pm 4^{\circ}\text{C}$.

You may later adjust the temperature recorded by the sensor using in the menu structure or using parameters.

SENSOR TYPE	CALIBRATION FROM MENU STRUCTURE	PARAMETER
Internal Sensor	CAr	10
Floor Sensor	CAF	11
External Sensor	CAE	12

15. BRIGHTNESS

Use Left and Right (up and down) buttons to adjust the brightness level from 0 to 9. Confirm with the Center (confirm) button.

16. HYSTERESIS (dIF)

In this mode, you can make changes to the thermostat hysteresis. You may change the hysteresis from $0,3^{\circ}\text{C}$ up to max $3,0^{\circ}\text{C}$. Confirm with the Center (confirm) button. The Default setting is $0,5^{\circ}\text{C}$. When using water based heating, the recommended hysteresis is a minimum of $1,0^{\circ}\text{C}$.

This only applies when using a floor sensor or an external sensor.

17. MIN/MAX TEMPERATURE SETTINGS

Flo Min Floor temperature

FHI Max Floor temperature

ALo Min Air/room temperature

AHI Max Air/room temperature

Confirm with Center (confirm)

ESC Leaving programming mode.

Confirm with the Center (confirm) button.

18. FAST FUNCTIONS FROM STANDBY / MAIN SCREEN

This is a list of some functions that you may use without entering the menu structure. From standby modus you may do the following;

18.1 DISPLAY ON/OFF (don/doF)

Activate by pressing the Left and Center (up and confirm) buttons for 10 seconds. The display light is temporarily activated if one of the buttons is pushed.

In case doF is activated, the screen will be blank (may be used if installed where people are sensitive to the display light). When touching the display, the screen lights up.

18.2 CHILD LOCK (LOC)

By pressing the Left and Right (up and down) buttons for 10 seconds, child lock will be activated, and no changes can be made. Trying to make changes causes the LOC text to appear on the display. Child lock is deactivated by pressing Left and Right (up and down) buttons for 10 seconds. OPn will appear on the display.

19. ERROR CODES

Err Adding fail

See Chapter 6.1 "Add/Remove".

Er1 Internal error

Contact your local dealer.

Er2 Z-Wave error

Contact your local dealer.

Er3 Internal error

Contact your local dealer.

Er4 Floor sensor error

You have chosen F, AF or A2F sensor mode without having a floor sensor connected, or the sensor may be damaged.

Er5 External sensor error

You have chosen A2 or A2F, and there are no external sensors installed or the sensor may be damaged.

20. Z-WAVE QR-CODE / DSK

The QR-Code is needed when including a device using S2 security or SmartStart. The Z-Wave DSK can be found in the QR-Code which is located in 3 locations;

1. On the product box.
2. On the physical product, placed on the black plastic underneath the front.
3. On the PCB internally.

21. SECURITY

S2 security enhances Z-Wave Plus with an additional layer of AES 128-bit encryption of the wireless Z-Wave communication to prevent hacking and man-in-middle attacks on the home network. This device supports S2 and has a Z-Wave DSK QR-Code label that may be used when the module is added to the Z-Wave home network. The primary controller will ask for a 5-digit code, which can be found underneath the QR-Code. The primary controller will then ask you to confirm the rest of the code that is contained in the QR-Code.

22. NODE INFORMATION FRAME

The node information frame is the "business card" of a Z-Wave device. It contains information about the device type and its technical features. The add and remove procedure of the device is confirmed by sending out a node information frame. Besides this, it may be necessary for certain network operations to send out a node information frame.

23. ASSOCIATIONS

Z-Wave devices interact with other Z-Wave devices. The relationship between one device controlling another device is called an association. In order to control a subordinate device, the controlling device needs to maintain a list of devices that will receive controlling commands. These lists are called "Association Groups". They are always related to the specific event triggered (e.g., sensor reports). In case the event is triggered, all devices stored in the respective association group will receive a joint wireless command.

SETTING AND REMOVING ASSOCIATIONS

Associations may be assigned and removed via Z-Wave commands. Please refer to your primary controller/Z-Wave gateway for more information.

MULTICHANNEL SUPPORT

Heatit Z-TRM3 has support for the Multichannel Command Class. This allows the thermostat to be perceived as many devices by the primary controller, where each of the devices has association groups in order to send information to other Z-Wave devices. See the chapter concerning "Association Groups" for more information. Commands sent to each logical device will be interpreted according to the description in the section "Supporting Command Classes".

NO MULTICHANNEL SUPPORT

If the primary controller or the Z-Wave devices to be associated with Heatit Z-TRM3 do not support the Multichannel Command Class (Multichannel encapsulation), only the association groups in the root device are accessible. This device contains 5 association groups. See Chapter 23 concerning "Association Groups" for more information. The root device is the actual thermostat device.

ASSOCIATION GROUPS WITH MULTICHANNEL SUPPORT

When used in a system with Multichannel support:

THERMOSTAT DEVICE 1	THE MAIN THERMOSTAT DEVICE
Group 1	Lifeline. (Normally used by the Z-Wave Controller) Sends: -Thermostat Setpoint Reports -Thermostat Mode Reports -Thermostat Operating State -Meter Reports Max. nodes in group: 5
Group 2	Send Binary Switch Set commands representing the status of the internal relay. Max. nodes in group: 5
MULTILEVEL SENSOR DEVICE 2	DEVICE FOR INTERNAL ROOM TEMPERATURE SENSOR
Group 1	Lifeline Send Multilevel Sensor Reports. Max. nodes in group: 5
Group 2	Send Multilevel Sensor Reports. Max. nodes in group: 5
MULTILEVEL SENSOR DEVICE 3	DEVICE FOR EXTERNAL ROOM TEMPERATURE SENSOR
Group 1	Lifeline Send Multilevel Sensor Reports. Max. nodes in group: 5
Group 2	Send Multilevel Sensor Reports. Max. nodes in group: 5
MULTILEVEL SENSOR DEVICE 4	DEVICE FOR FLOOR SENSOR
Group 1	Lifeline Send Multilevel Sensor Reports. Max. nodes in group: 5
Group 2	Send Multilevel Sensor Reports. Max. nodes in group: 5

ASSOCIATION GROUPS WITHOUT MULTICHANNEL SUPPORT

When used in a system without Multi Channel support:

THERMOSTAT DEVICE	THE MAIN THERMOSTAT DEVICE
Group 1 Lifeline	Lifeline. (Normally used by the Z-Wave Controller) Sends: - Device Reset Notifications. - Thermostat Setpoint Reports - Thermostat Mode Reports - Thermostat Operating State - Basic Reports - Meter Reports Max. nodes in group: 5
Group 2 State of relay ON/OFF	Send Binary Switch Set commands representing the status of the internal relay. Max. nodes in group: 5
Group 3 Internal sensor	Send Multilevel Sensor Reports for internal temperature sensor. Max. nodes in group: 5
Group 4 External sensor	Send Multilevel Sensor Reports for external room temperature sensor. Max. nodes in group: 5
Group 5 Floor sensor	Send Multilevel Sensor Reports for floor sensor. Max. nodes in group: 5

24. CONFIGURATION PARAMETERS

Z-Wave products are supposed to work out of the box after inclusion. Some device configuration may, however, alter the functionality to better serve user needs or unlock further enhanced features.

Parameter 1, Parameter Size 1. Operation mode

VALUE	DESCRIPTION
0	Off
1	Heating mode (Default)

Parameter 2, Parameter Size 1. Sensor mode

VALUE	DESCRIPTION
0	F-mode, floor sensor mode
1	A-mode, internal room sensor mode (Default)
2	AF-mode, internal room sensor with floor limitation
3	A2-mode, external room sensor mode
4	A2F-mode, external sensor with floor limitation

Parameter 3, Parameter Size 1. Floor sensor type

VALUE	DESCRIPTION
0	10K NTC (Default)
1	12K NTC
2	15K NTC
3	22K NTC
4	33K NTC
5	47K NTC

Parameter 4, Parameter Size 1. Temperature control hysteresis (diF)

VALUE	DESCRIPTION
3 to 30	0.3°C to 3.0°C. Default is 5 (0.5°C)

Parameter 5, Parameter Size 2. Floor minimum temperature limit (Flo)

VALUE	DESCRIPTION
50 to 400	5.0°C to 40.0°C. Default is 50 (5.0°C)

Parameter 6, Parameter Size 2. Floor maximum temperature limit (FHi)

VALUE	DESCRIPTION
50 to 400	5.0°C to 40.0°C. Default is 400 (40.0°C)

Parameter 7, Parameter Size 2. Air (A2) minimum temperature limit (ALo)

VALUE	DESCRIPTION
50 to 400	5.0°C to 40.0°C. Default is 50 (5.0°C)

Parameter 8, Parameter Size 2. Air (A2) maximum temperature limit (AHi)

VALUE	DESCRIPTION
50 to 400	5.0°C to 40.0°C. Default is 400 (40.0°C)

Parameter 9, Parameter Size 2. Heating mode setpoint

VALUE	DESCRIPTION
50 to 400	5.0°C to 40.0°C. Default is 210 (21.0°C)

Parameter 10, Parameter Size 1. Room sensor calibration (A)

NB. To set a negative value, use 256 and subtract the desired value.

VALUE	DESCRIPTION
-60 to 60	-6.0°C to 6.0°C. Default is 0 (0.0°C)

Parameter 11, Parameter Size 1. Floor sensor calibration

NB. To set a negative value, use 256 and subtract the desired value.

VALUE	DESCRIPTION
-60 to 60	-6.0°C to 6.0°C. Default is 0 (0.0°C)

Parameter 12, Parameter Size 1. External sensor calibration

NB. To set a negative value, use 256 and subtract the desired value.

VALUE	DESCRIPTION
-60 to 60	-6.0°C to 6.0°C. Default is 0 (0.0°C)

Parameter 13, Parameter Size 1. Temperature display

Selects which temperature is shown on the display. Refer to Chapter 11 "Standby and main screen".

VALUE	DESCRIPTION
0	Display setpoint temperature (Default)
1	Display measured temperature

Parameter 14, Parameter Size 1. Button brightness – dimmed state

Configure the brightness of the buttons in dimmed state.

VALUE	DESCRIPTION
0 to 100	0 to 100% (Default 50%)

Parameter 15, Parameter Size 1. Button brightness – active state

Configure the brightness of the buttons in active state

VALUE	DESCRIPTION
0 to 100	0 to 100% (Default 100%)

Parameter 16, Parameter Size 1. Display brightness – dimmed state

Configure the brightness of the display in dimmed state.

VALUE	DESCRIPTION
0 to 100	0 to 100% (Default 50%)

Parameter 17, Parameter Size 1. Display brightness – active state

Configure the brightness of the display, in active state.

VALUE	DESCRIPTION
0 to 100	0 to 100% (Default 100%)

Parameter 18, Parameter Size 2. Temperature report interval

Time interval between consecutive temperature reports. Temperature reports can also be sent as a result of polling.

VALUE	DESCRIPTION
30 to 32767	30 seconds to 32767 seconds. Default is 60 seconds

Parameter 19, Parameter Size 1. Temperature report hysteresis

The temperature report will be sent if there is a difference in temperature value from the previous value reported, defined in this parameter (hysteresis). Temperature reports can also be sent as a result of polling.

VALUE	DESCRIPTION
1 to 100	0.1°C to 10.0°C. Default is 10 (1.0°C)

Parameter 20, Parameter Size 2. Meter report interval

Time interval between consecutive meter reports. Meter reports can also be sent as a result of polling.

VALUE	DESCRIPTION
30 to 32767	30 seconds to 32767 seconds. Default is 90 seconds

Parameter 21, Parameter Size 1. Meter report delta value

Delta value in kWh between consecutive meter reports. Meter reports can also be sent as a result of polling.

VALUE	DESCRIPTION
0	Reporting meter based on change is disabled
0 to 255	A delta value of 0 to 25.5 kWh will result in a metering report. Default is 10 (1.0 kWh)

25. COMMAND CLASS SPECIFICATIONS**SUPPORTED COMMAND CLASSES**

The following table lists all Command Classes supported by the Z-Wave device. The device supports both S0, S2 Authenticated security and S2 Unauthenticated security.

	INSECURE INCLUSION	INSECURE ON SECURE INCLUSION	SECURE ON SECURE INCLUSION
Z-Wave Plus Information v2	Yes	Yes	
Association v2	Yes		Yes
Association Group Information v1	Yes		Yes
Multilevel Sensor v5	Yes		Yes
Multichannel Association v3	Yes		Yes
Multichannel v4	Yes		Yes
Transport Service v2	Yes	Yes	
Version v3	Yes		Yes
Manufacturer Specific v2	Yes		Yes
Device Reset Locally v1	Yes		Yes
Powerlevel v1	Yes		Yes
Security v1	Yes	Yes	
Security 2 v1	Yes	Yes	
Supervision v1	Yes	Yes	
Configuration v3	Yes		Yes

	INSECURE INCLUSION	INSECURE ON SECURE INCLUSION	SECURE ON SECURE INCLUSION
Firmware Update v5	Yes		Yes
Thermostat Setpoint v3	Yes		Yes
Thermostat Mode v3	Yes		Yes
Thermostat Operating State v1	Yes		Yes
Basic v2	Yes		Yes
Meter v3	Yes		Yes

SUPPORTED COMMAND CLASSES

Besides the mandatory command classes, Heatit Z-TRM3 has support for the following command classes:

Basic Command Class

A Basic command to the root endpoint or endpoint 1 will change the Thermostat Mode. Uses the following values:

0x00 = OFF (thermostat regulation is deactivated)

0x01 = Heating Mode (thermostat regulation is active)

Binary Switch Command Class

Sends Binary Switch commands to other devices when the internal relay is switched. It used to control other slave relay devices.

Uses the following values:

0x00 = OFF

0xFF = ON

Thermostat Setpoint Command Class

When a Thermostat Setpoint Set command is received by the root device, it sets the chosen setpoint for heating mode.

Thermostat Mode

It is possible to change the operating mode of the thermostat by sending a Thermostat Mode Set command. The accessible operating modes are:

0x00 = OFF (thermostat regulation is deactivated)

0x01 = Heating Mode (thermostat regulation is active)

Thermostat Operating State

The thermostat reports the operating state of the internal relay using this command class.

0x00 = Idle (relay is turned OFF)

0x01 = Heating (relay is turned ON)

Meter Command Class

The thermostat supports Meter Command Class Get, and the thermostat will only respond on supported electric meter scales:

kWh (accumulated), Watt (instant) and Volt (instant). The thermostat will report when asked:

Rate import: Import (0x01)

Meter type: Electric meter (0x01)

Precision: 1 decimal (0x01)

PRECISION (VALUE)	SCALE SUPPORTED (VALUE)	SIZE
1 decimal (0x01)	kWh (0x01)	4
2 decimals (0x01)	W (0x02)	4
1 decimal	V (0x04)	2

THERMOSTAT DEVICE 1

Supported Command Classes Association (version 2)

Z-Wave Plus Information (version 2)

Association (version 2)

Association Group Information (version 3)

Multichannel Association (version 3)

Supervision (version 1)

Security (version 1)

Security 2 (version 1)

Thermostat Setpoint (version 3)

Thermostat Mode (version 3)

Thermostat Operating State (version 1)

Controlled Command Classes

Switch Binary (version 1)

Meter (version 3)

MULTILEVEL SENSOR DEVICE 2

Supported Command Classes

Z-Wave Plus Information (version 2)

Association (version 2)

Association Group Information (version 3)

Multichannel Association (version 3)

Supervision (version 1)

Security (version 1)

Security 2 (version 1)

Multilevel Sensor (version 5)

Controlled Command Classes

Multilevel Sensor (version 5)

MULTILEVEL SENSOR DEVICE 3

Supported Command Classes

Z-Wave Plus Information (version 2)

Association (version 2)

Association Group Information (version 3)

Multichannel Association (version 3)

Supervision (version 1)

Security (version 1)

Security 2 (version 1)

Multilevel Sensor (version 5)

Controlled Command Classes

Multilevel Sensor (version 5)

MULTILEVEL SENSOR DEVICE 4

Supported Command Classes

Z-Wave Plus Information (version 2)

Association (version 2)

Association Group Information (version 3)

Multichannel Association (version 3)

Supervision (version 1)

Security (version 1)

Security 2 (version 1)

Multilevel Sensor (version 5)

Controlled Command Classes

Multilevel Sensor (version 5)

PRODUCT INFO Heatit Z-TRM3



FUNCTIONS

- Floor sensor
- Internal room sensor
- External room sensor (connected by cable)
- Temperature limiter
- SmartStart
- Weekly program/setback via gateway
- Supports encryption mode: S0, S2 Authenticated Class, S2 Unauthenticated Class
- Temperature read out in gateway
- Firmware update (OTA)
- Power metering
- Relay status LED
- Single pole switch
- Lock mode/child lock
- Calibration
- 5 associations

This product is a security-enabled Z-Wave Plus product with encryption. The product must be used with a security-enabled Z-Wave Controller in order to fully utilize the product.

TECHNICAL DATA

Protocol	Z-Wave - 868,4MHz
Chip	Z-Wave 500 chip
Rated voltage	230V 50/60Hz
Max load	3600W (resistive load) 750W self-limiting heating cable
Max current	16A
Power consumption	<2,0W
Ambient temperature	0°C to 40°C (during operation)
Temperature range	5°C to 40°C
Hysteresis	0,3°C to 3,0°C (default 0,5°C)
Compatible with NTC sensors with values	10, 12, 15, 22, 33 and 47 kΩ @ 25°C
IP Code	IP 21
Approvals	Z-Wave Plus, CE, EN 60730-1, EN 60730-2-9, EMC 2014/30/EU, RoHS 2011/65/EU, LVD 2014/35/EU

Approved for use in bathrooms.

TERMINAL

Use 1,5mm² or 2,5mm² according to load.

MAINTENANCE

The product is maintenance-free, but must not be covered.

ART. NO.	PRODUCT	COLOR	Z-WAVE FREQUENCY
54 305 99	Heatit Z-TRM3 thermostat 3600W 16A	White RAL 9003	EU 868,4MHz
54 304 46	Plastic kit for Heatit (front and frame)	Black RAL 9011	



Heatit Controls AB can not be held liable for typographical errors, other errors or omissions in our information.

Product specifications may change without further notice.

All electrical installations must be carried out by a licensed electrician.

The product must be installed in accordance with national building codes and our installers manual.