

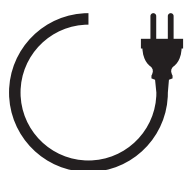
# LED Lyskaster 30W/50W/100W/200W

110-240V~ 50/60Hz IP65



Energibesparende LED vei/plassbelysning for horisontal montering. Armaturhus av press støpt aluminium. Leveres med 5m kabel.

Energy-efficient LED floodlighting for horizontal mounting. Body made of die cast aluminium. Delivered with 5m cable.

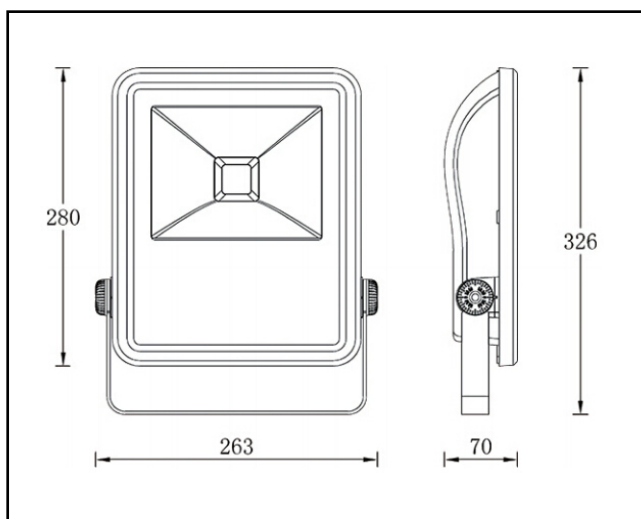


Spenning: 110-240V~ 50/60Hz  
Lyskilde: LED  
Effekt: 30W/50W/2X50W/4X50W  
Tetthetsgrad: IP65  
5m H07RN-F 3 x 1.5mm<sup>2</sup>, leveres med Sosen /Meanwell driver og Epistar chip.

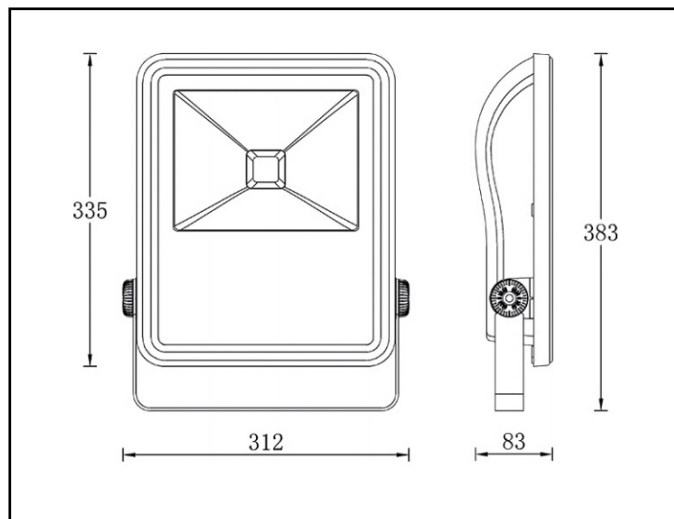
Operating voltage: 110-240V~ 50/60Hz  
Lamp: LED  
Power: 30W/50W/2X50W/4X50W  
IP Rating: IP65  
5m H07RN-F 3X1.5mm<sup>2</sup>, delivered with Sosen/Meanwell driver and Epistar chip.

## MÅL / MEASURES

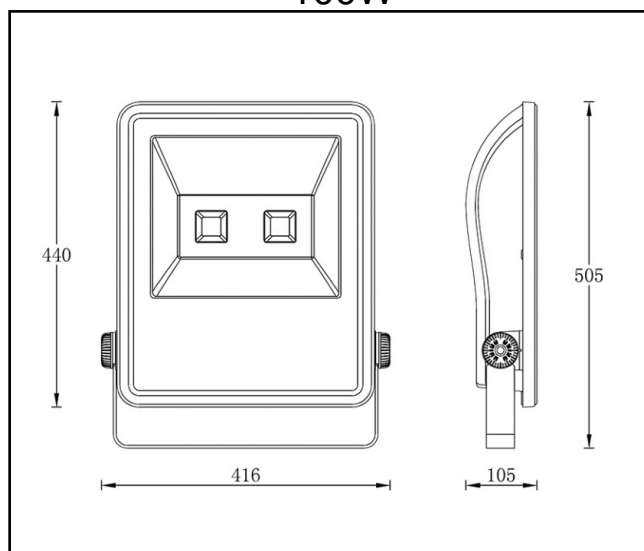
### 30W



### 50W



### 100W



### 200W

